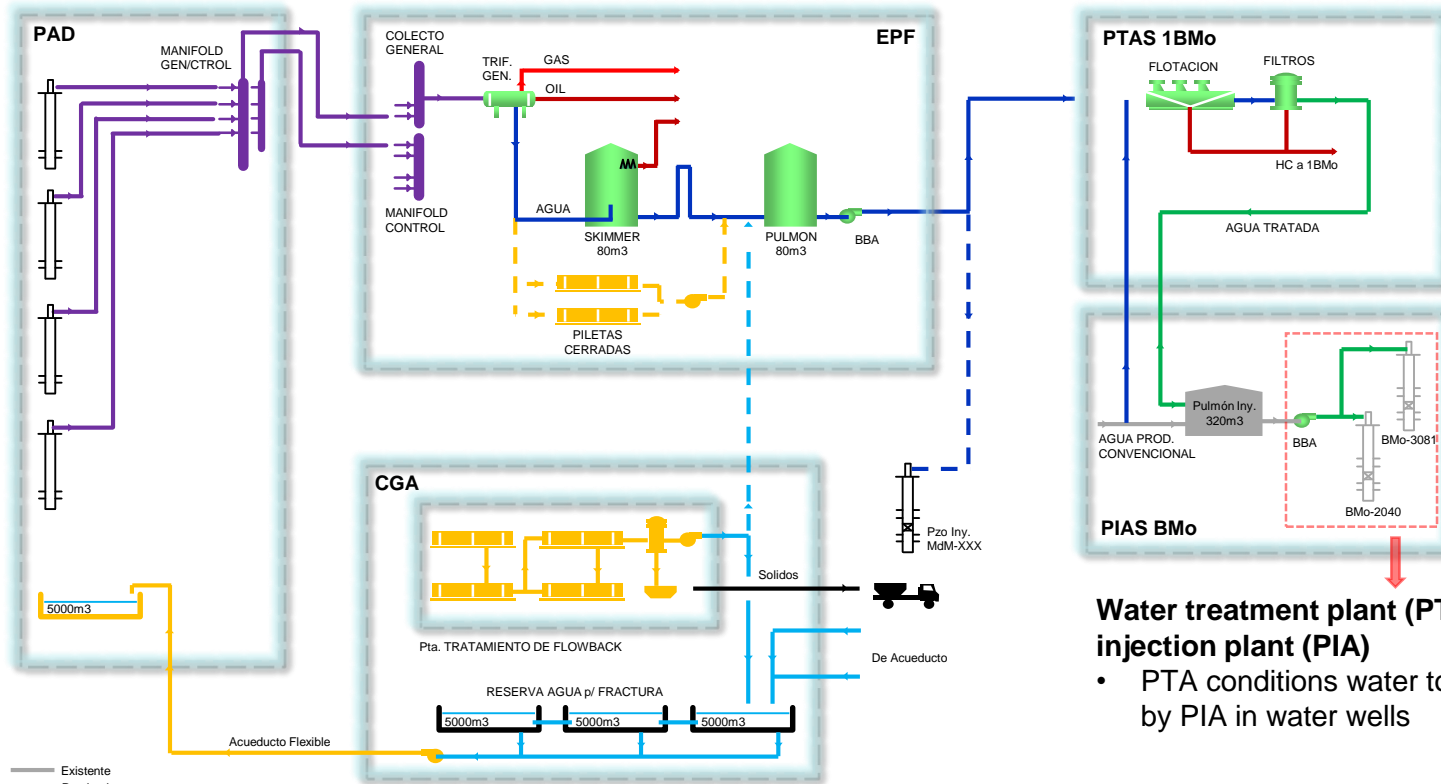


# Water Management Plan

Frac and produced water



## Frac water location (CGA)

- Water source: irrigation channel
- Flowback treatment plant to reduce fresh water consumption

## Water treatment plant (PTA) and injection plant (PIA)

- PTA conditions water to be injected by PIA in water wells